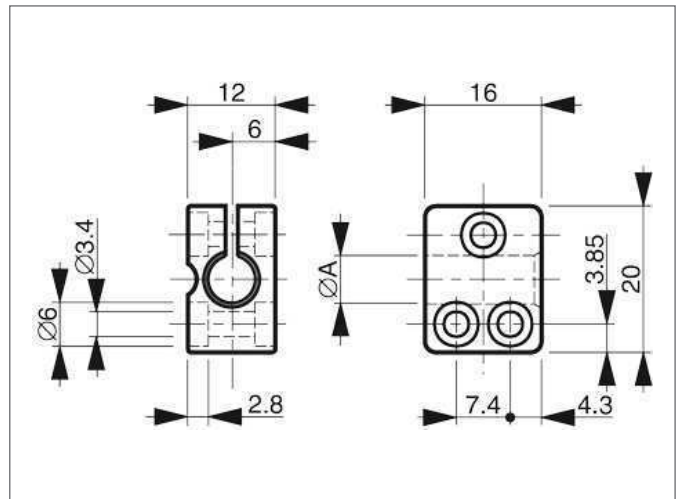


SH 6.5 Sensor Holder

- For cylindrical Sensors of \varnothing 6.5 mm
- Simple installation
- Reduced mounting/downtimes thanks to one-piece construction
- Sensor exchange without changing the clamp position
- Oblong holes permit clamp adjustment



TECHNICAL INFORMATION (typ.)

Size

+20°C, 24V DC

12 x 16 x 20 mm (Dimensions)
6,5 mm (Clamping diameter A)

Characteristics

without limit stop

Casing material

plastics (polyamide - PA 6 GK)